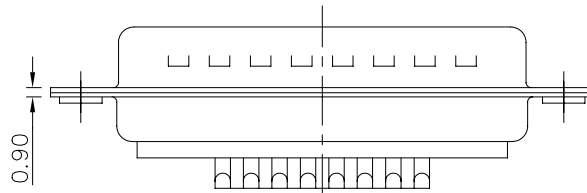
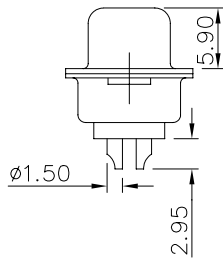
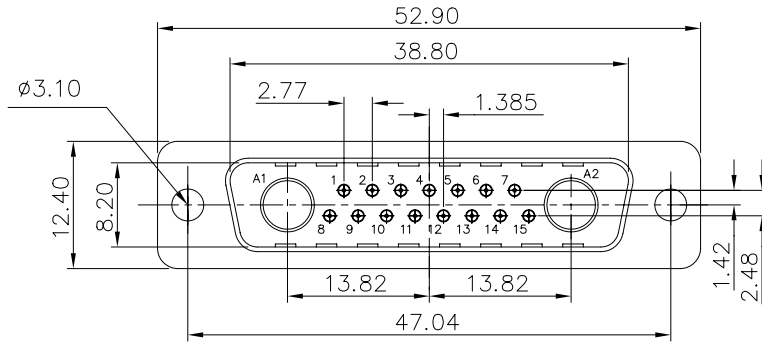


This document is the property of Amphenol Corporation and is delivered on the express condition that it is not to be disclosed, reproduced or used, in whole or in part, for manufacture or sale by anyone other than Amphenol Corporation without its prior consent, & that no right is granted to disclose or to use any information in this document.



Customer drawing

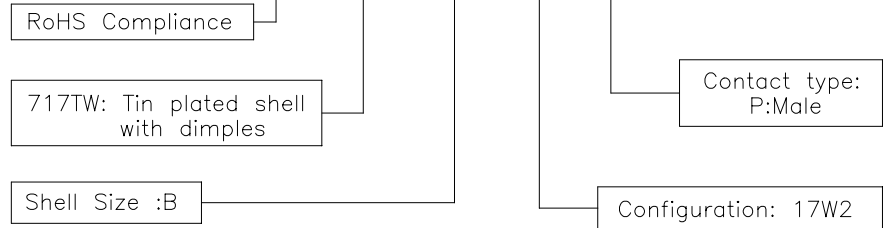
REVISIONS				
SYM	ECN	DESCRIPTION	DATE	APPROVED
A			12/19/07	

D-SUB TECHNICAL DATA

SHELL : Steel, 100u" min tin over 50u" min nickel  
 BODY : Glass filled thermoplastic.  
 Flame retardant to UL94 V-0 Color Black  
 CONTACTS : Brass, 0.4um(15u") min gold over 1.25um(50u") min nickel  
 ELECTRICAL : Voltage rating: Signal contacts 300 V Rms to 50 Hz  
 Current rating: Signal contacts 7.5A  
 Withstanding Voltage >1000 V Rms to 50 Hz for one minute  
 Insulation resistance >5000 M Ohms  
 Contact resistance: Signal contacts 20 mOhms max  
 CLIMATIC : Temperature range -55 °C up to 155°C  
 Damp heat 56 days(40 °C-95% HR)  
 MARKING : Amphenol...(Series No.)  
 Commercial reference  
 Manufacturing date

PRODUCT CODE

**L 717TW B 17W2 P**

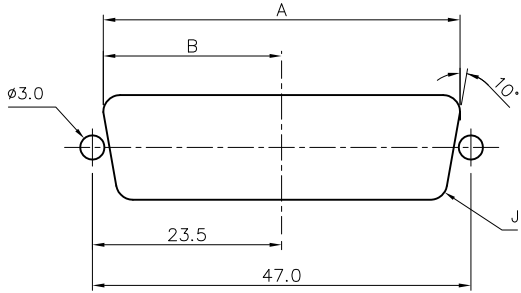


UNLESS OTHERWISE SPECIFIED <b>TOLERANCES</b> U.S. METRIC .X +/- 0.50 .XX +/- 0.30 .XXX +/- 0.20 FRACTIONS +/- ANGLES +/- 2° FOR MATERIALS AND FINISHES SEE NOTES REMOVE SHARP EDGES DIMENSIONS U.S. INCHES METRIC MM	APPROVAL DRAWN Christine.cui 12/19/07 CHECKED lik.wang 12/19/07 CHECKED	DATE 12/19/07	TITLE Hybrid contacts, TW series
	DRAWING FILE :		
	ANGLE OF PROJECTION 	SIZE DRAWING NO. A4 C L717TWB17W2P	REV. A
	SCALE NONE	SHEET 1 OF 1	

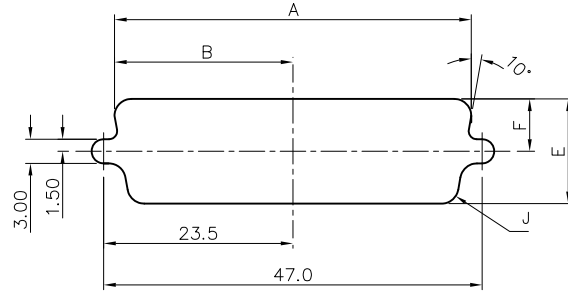
This document is the property of Amphenol Corporation and is delivered on the express condition that it is not to be disclosed, reproduced or used, in whole or in part, for manufacture or sale by anyone other than Amphenol Corporation without its prior consent, & that no right is granted to disclose or to use any information in this document.



Optimal cutout for rear mounting



Standard cutout



Shell size	Mounting method	A	B	E	F	J
B	Front	44.3	22.1	13.0	6.5	2.1
	Rear	42.5	21.3	11.4	5.7	3.4

REVISIONS				
SYM	ECN	DESCRIPTION	DATE	APPROVED
1			Sep/22/11	

Customer drawing for proposal

UNLESS OTHERWISE SPECIFIED		APPROVAL		DATE
TOLERANCES		DRAWN	Maryme	Sep/22/11
U.S.		CHECKED	Tony tang	Sep/22/11
METRIC		CHECKED		
.X +/-	0.50	DRAWING FILE :		
.XX +/-	0.30	ANGLE OF PROJECTION		
.XXX +/-	0.20			
FRACTIONS +/-	2'	FOR MATERIALS AND FINISHES		
ANGLES +/-		SEE NOTES		
REMOVE SHARP EDGES		DIMENSIONS		
		U.S. INCHES		
		METRIC MM		

Amphenol		Amphenol East Asia Limited	
TITLE			
Hybrid contacts, TW series			
SIZE	DRAWING NO.	REV.	
A4	Panel cutout for 25 pin	1	
SCALE	NONE	SHEET 1 OF 1	