

PART NUMBER	DESCRIPTION	VIEW	COMPLIANT TAIL PLATING
760940001	4 LIGHT PORTS	SEE PG 2	MATTE TIN / LEAD
760940002	INNER 2 PORTS	SEE PG 2	MATTE TIN / LEAD
760940003	OUTER 2 PORTS	SEE PG 2	MATTE TIN / LEAD
760945001	4 LIGHT PORTS	SEE PG 2	MATTE TIN
760945002	INNER 2 PORTS	SEE PG 2	MATTE TIN
760945003	OUTER 2 PORTS	SEE PG 2	MATTE TIN

NOTES

1. MATERIAL:

CAGE: NICKEL SILVER, THICKNESS: 0.25mm
 CONNECTOR HOUSING: GLASS FILLED LIQUID CRYSTAL POLYMER (LCP), UL 94V-0, COLOR: BLACK
 OVERMOLD TERMINAL HOUSING: GLASS FILLED LIQUID CRYSTAL POLYMER (LCP), UL 94V-0, COLOR: BLACK
 TERMINALS: TIN BRASS
 EMI GASKET: CONDUCTIVE ELASTOMER
 LIGHTPIPE HOUSING: ZINC
 LIGHTPIPES: POLYCARBONATE, COLOR: CLEAR

2. FINISHES:

TERMINALS: CONTACT AREA: 0.76 MICROMETERS MINIMUM HARD GOLD OVER 1.27 MICROMETERS MINIMUM NICKEL.
 COMPLIANT TAIL - MATTE TIN/LEAD OPTION: 0.76 TO 1.52 MICROMETERS 90/10 MATTE TIN-LEAD OVER 0.76 MICROMETERS MINIMUM NICKEL.
 COMPLIANT TAIL - MATTE TIN OPTION: 0.76 TO 1.52 MICROMETERS MATTE TIN OVER 0.76 MICROMETERS MINIMUM NICKEL.

LIGHT PIPE HOUSING: 80 MICROMETERS MINIMUM NICKEL OVER COPPER

3. REFER TO PS-75310-001 PRODUCT SPEC FOR ALL ELECTRICAL, MECHANICAL AND ENVIRONMENTAL SPECIFICATIONS.

4. LIGHT PIPE PAD LAYOUT IS FOR 0805 LOW-PROFILE LED PACKAGE FOR OTHER RECOMMENDED LAYOUTS REFER TO MOLEX'S REPORT TS-75310-001.

5. REFER TO PK-75451-001 FOR ALL PACKAGING SPECIFICATIONS.

6. ALL EXTERIOR SURFACES TO BE CLASS 'B' SURFACES EXCEPT THE UNDER SIDE OF THE CAGE WHERE THE PCB WOULD BE LOCATED AND AS NOTED. THE SURFACES TO CONFORM TO THE MOLEX COSMETIC DOC PS-45499-002.

7. REFER TO AS-76090-001 FOR HIGH SPEED ROUTING RECOMMENDATIONS.

8. DATE CODE LOCATION IS SHOWN ABOVE.

DATE CODE FORMAT: DDDY MX A1

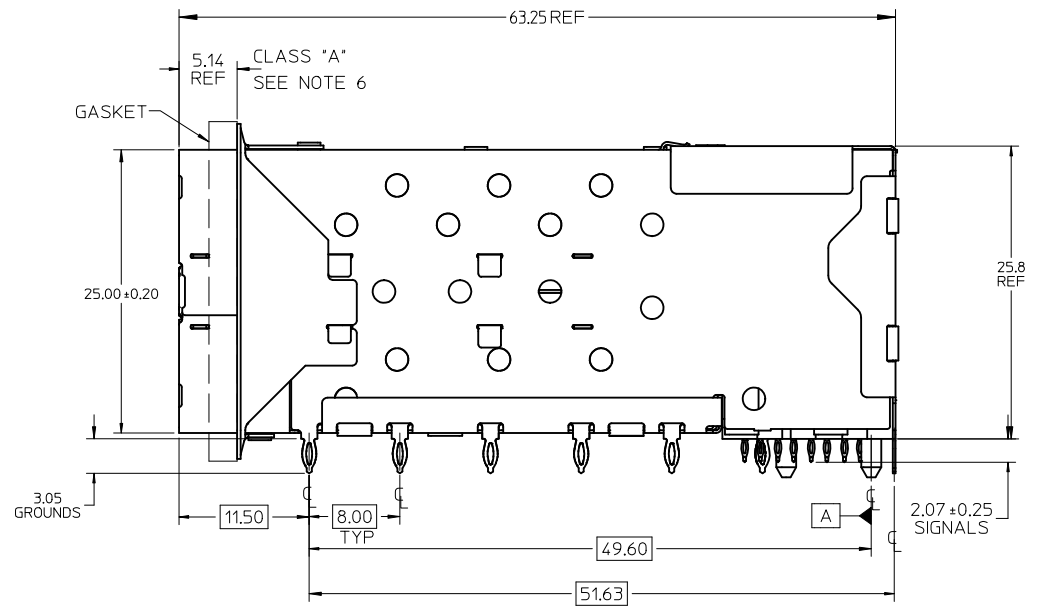
DDD = DAY OF THE YEAR

Y = YEAR

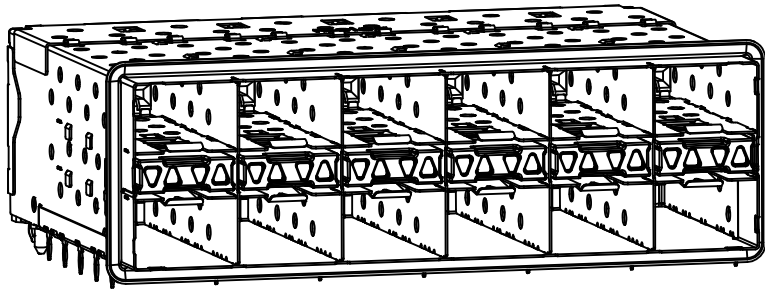
MX = MOLEX

A = ALPHA CHARACTER - INDICATES MANUFACTURING LINE

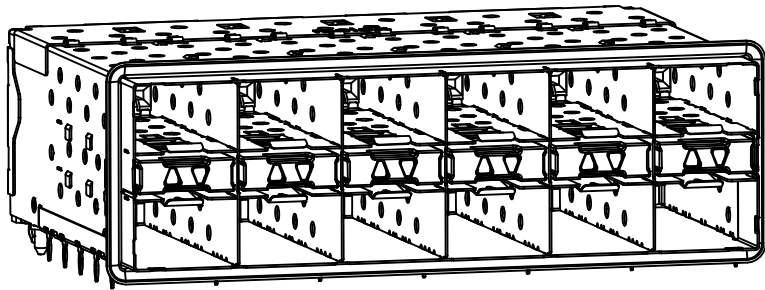
1 = NUMERIC CHARACTER - INDICATES PRODUCTION SHIFT



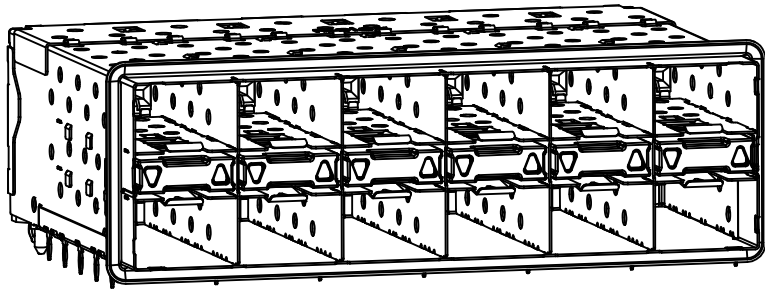
REV	DESCRIPTION	QUALITY SYMBOLS	GENERAL TOLERANCES (UNLESS SPECIFIED)		DIMENSION STYLE		SCALE	DESIGN UNITS	THIRD ANGLE PROJECTION
			mm	INCH	MM ONLY	DATE			
D	ADD NOTE 7 & 8 EC NO: UCP2011-2594 DRWN:WOLFE 2011/03/08 CHKD:BBARKER 2011/03/08 APPR:SMILLER 2011/09/20	▽=0 ▽=0 ▽=0	4 PLACES ± ---	± ---	DRAWN BY JLONG	DATE 01-18-2007	3:1	METRIC	 STACKED SFP+ 2X6 ASS'Y WITH ELASTOMERIC GASKET
			3 PLACES ± ---	± ---	CHECKED BY MSANDBERG	DATE 01-18-2007			
			2 PLACES ± 0.13	± ---	APPROVED BY RNELSON	DATE 01-18-2007			 MOLEX INCORPORATED
			1 PLACE ± 0.25	± ---	MATERIAL NO. SEE TABLE	DOCUMENT NO. SD-76094-001			
			ANGULAR ± 5 °		DRAFT WHERE APPLICABLE MUST REMAIN WITHIN DIMENSIONS				SHEET NO. 1 OF 4
					THIS DRAWING CONTAINS INFORMATION THAT IS PROPRIETARY TO MOLEX INCORPORATED AND SHOULD NOT BE USED WITHOUT WRITTEN PERMISSION				



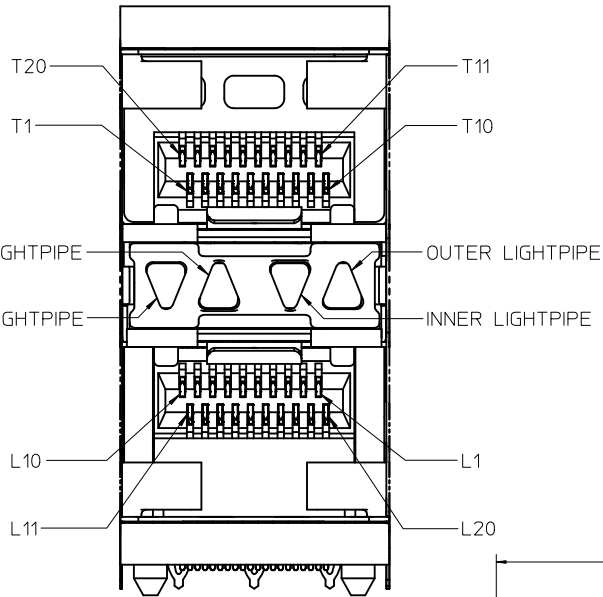
760940001 AND 760945001
WITH INNER AND OUTER LIGHTPIPES



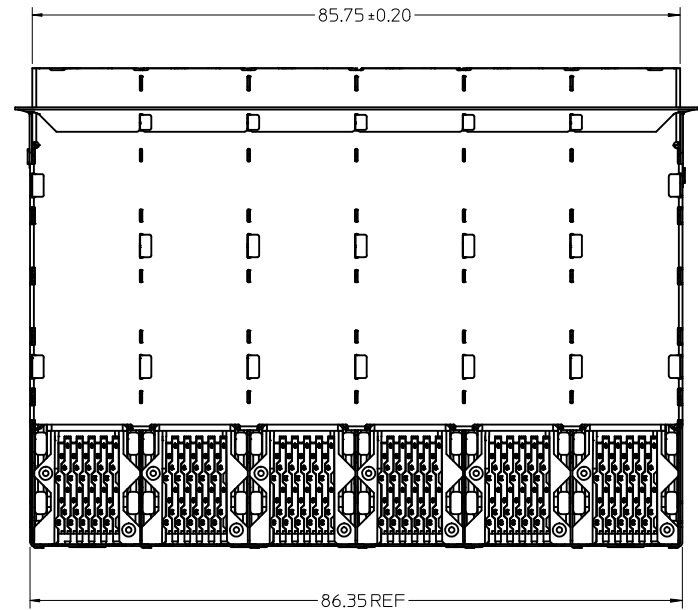
760940002 AND 760945002
WITH INNER LIGHTPIPES



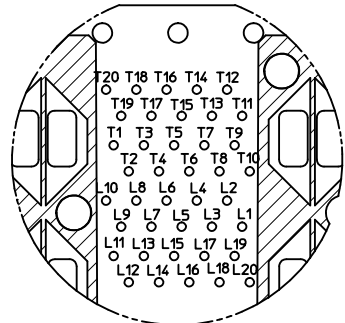
760940003 AND 760945003
WITH OUTER LIGHTPIPES



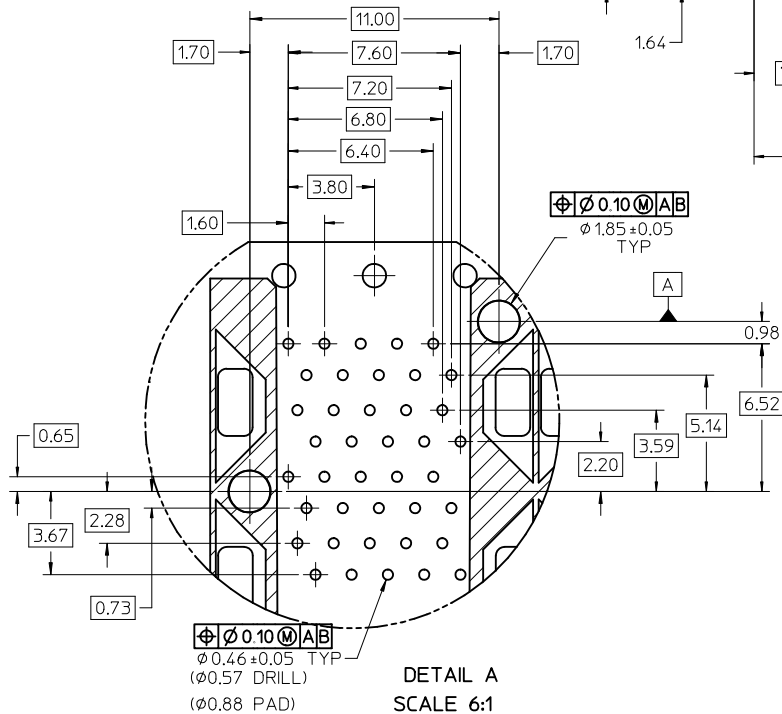
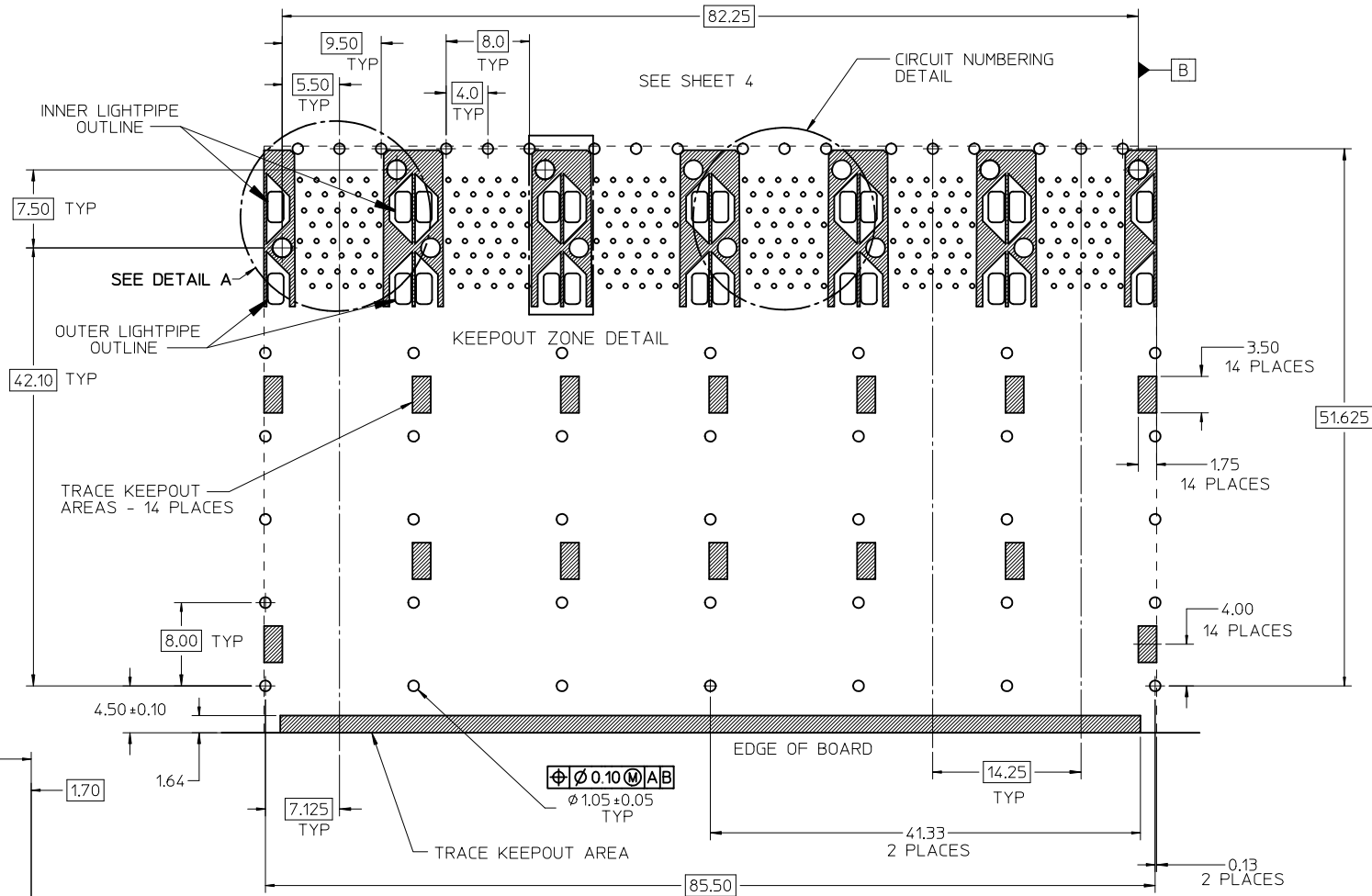
DETAIL B
SCALE 5:1
CIRCUIT NUMBERING
AND LIGHTPIPE
IDENTIFICATION



ADD DETAIL B EC NO: UCP2011-2594 DRWN:MWOLFE 2011/03/08 CHKD:BBARKER 2011/03/08 APPR:SMILLER 2011/09/20	QUALITY SYMBOLS 	GENERAL TOLERANCES (UNLESS SPECIFIED) <table border="1"> <thead> <tr> <th></th> <th>mm</th> <th>INCH</th> </tr> </thead> <tbody> <tr> <td>4 PLACES</td> <td>± .13</td> <td>± .005</td> </tr> <tr> <td>3 PLACES</td> <td>± .15</td> <td>± .006</td> </tr> <tr> <td>2 PLACES</td> <td>± 0.13</td> <td>± .005</td> </tr> <tr> <td>1 PLACE</td> <td>± 0.25</td> <td>± .010</td> </tr> </tbody> </table>		mm	INCH	4 PLACES	± .13	± .005	3 PLACES	± .15	± .006	2 PLACES	± 0.13	± .005	1 PLACE	± 0.25	± .010	DIMENSION STYLE MM ONLY DRAWN BY DATE JLONG 01-18-2007 CHECKED BY DATE MSANDBERG 01-18-2007 APPROVED BY DATE RNELSON 01-18-2007	SCALE 2:1 DESIGN UNITS METRIC 	TITLE STACKED SFP+ 2X6 ASS'Y WITH ELASTOMERIC GASKET
		mm	INCH																	
	4 PLACES	± .13	± .005																	
	3 PLACES	± .15	± .006																	
2 PLACES	± 0.13	± .005																		
1 PLACE	± 0.25	± .010																		
MATERIAL NO. SEE TABLE	DOCUMENT NO. SD-76094-001	SHEET NO. 2 OF 4																		
DRAFT WHERE APPLICABLE MUST REMAIN WITHIN DIMENSIONS	SIZE C	THIS DRAWING CONTAINS INFORMATION THAT IS PROPRIETARY TO MOLEX INCORPORATED AND SHOULD NOT BE USED WITHOUT WRITTEN PERMISSION																		



CIRCUIT NUMBERING
COMPONENT SIDE OF BOARD
SCALE 5:1



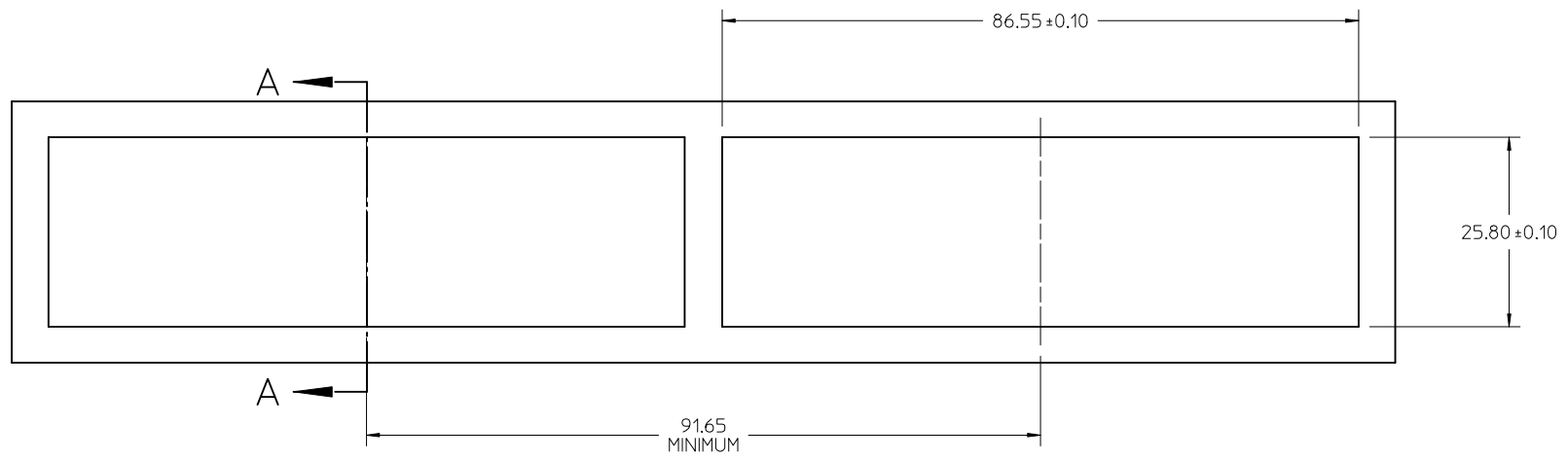
DETAIL A
SCALE 6:1

RECOMMENDED PCB LAYOUT - COMPONENT SIDE
RECOMMENDED PCB THICKNESS - 2.36 MM (.093 INCH)

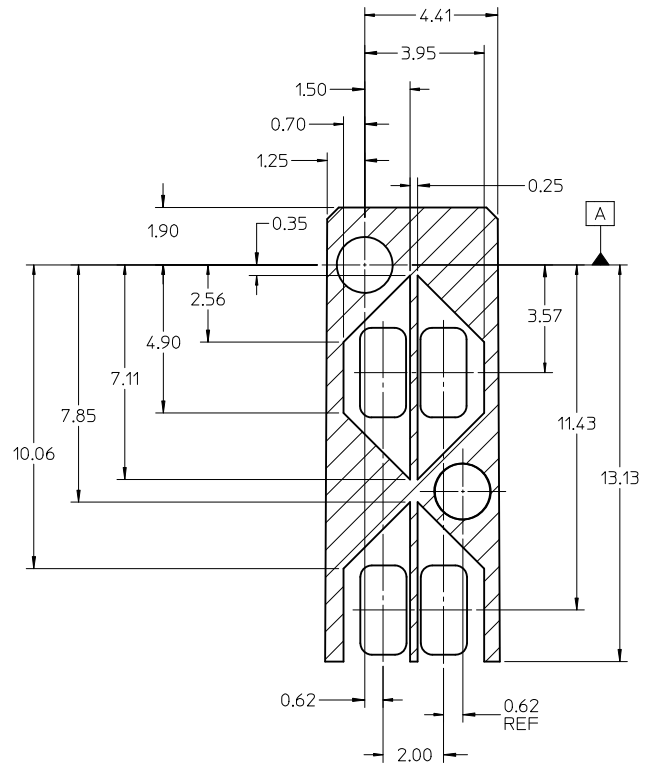
THE ENTIRE AREA OF THE CONNECTOR FOOTPRINT
TO BE CONSIDERED THE KEEP OUT AREA FOR COMPONENTS
(OTHER THAN LIGHTPIPE LED'S).

THIS AREA IS INDICATED BY THE DASHED LINE

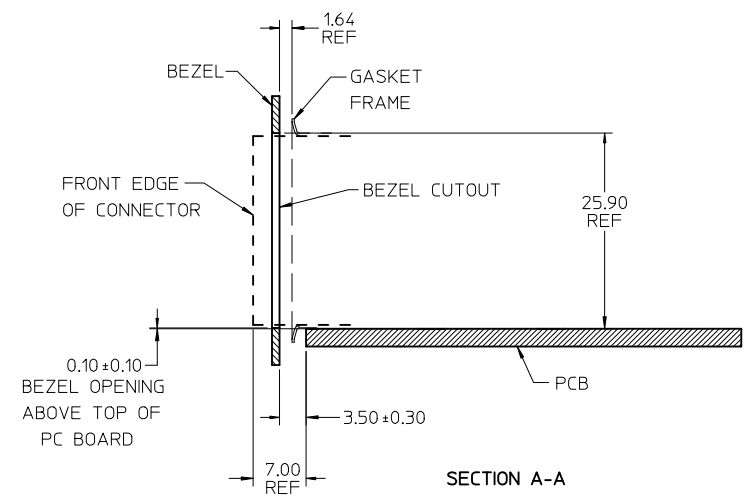
CHG DETAIL CALLOUT EC NO: UCP2011-2594 DRWN:WOLFE 2011/03/08 CHKD:BBARKER 2011/03/08 APPR:SMILLER 2011/09/20 REV DESCRIPTION	QUALITY SYMBOLS	GENERAL TOLERANCES (UNLESS SPECIFIED)	DIMENSION STYLE MM ONLY	SCALE 3:1	DESIGN UNITS METRIC	THIRD ANGLE PROJECTION
	▽=0	mm INCH	DRAWN BY DATE	STACKED SFP+ 2X6 ASS'Y WITH ELASTOMERIC GASKET		
	▽=0	4 PLACES ± --- ± ---	JLONG 01-18-2007	MOLEX INCORPORATED		
	▽=0	3 PLACES ± --- ± ---	CHECKED BY DATE	SD-76094-001		
		2 PLACES ± 0.13 ± ---	MSANDBERG 01-18-2007	SHEET NO. 3 OF 4		
		1 PLACE ± 0.25 ± ---	APPROVED BY DATE	THIS DRAWING CONTAINS INFORMATION THAT IS PROPRIETARY TO MOLEX INCORPORATED AND SHOULD NOT BE USED WITHOUT WRITTEN PERMISSION		
		ANGULAR ± 5 °	RNELSON 01-18-2007			
		DRAFT WHERE APPLICABLE MUST REMAIN WITHIN DIMENSIONS	MATERIAL NO. SEE TABLE			
			SIZE C			



BEZEL CUTOUT CENTER SPACING DETAIL
BEZEL THICKNESS 0.8 - 2.6

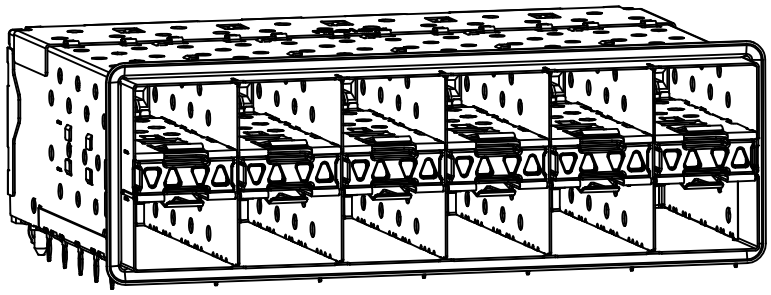


KEEPOUT ZONE DETAIL
SCALE 8:1

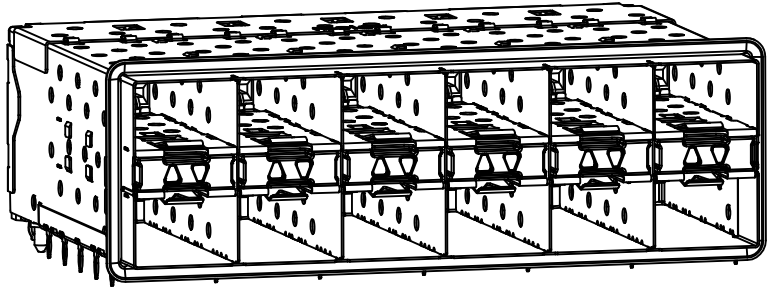


SECTION A-A

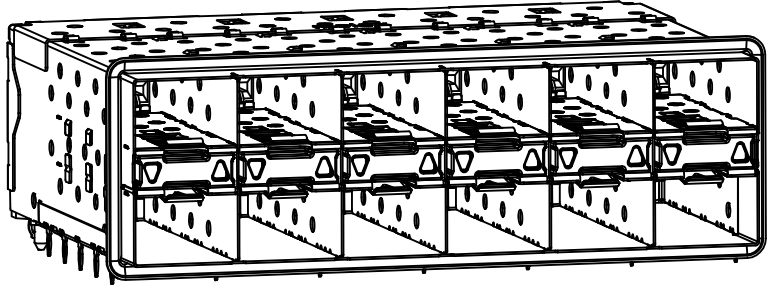
ADD SECOND BEZEL CUTOUT EC NO: UCP2011-2594 DRWN:WOLFE 2011/03/08 CHKD:BBARKER 2011/03/08 APPR:SMILLER 2011/09/20	QUALITY SYMBOLS ∇=0 ∇=0 ∇=0	GENERAL TOLERANCES (UNLESS SPECIFIED)		DIMENSION STYLE MM ONLY	SCALE 2:1	DESIGN UNITS METRIC	THIRD ANGLE PROJECTION
		4 PLACES ± --- ± ---	DRAWN BY JLONG	DATE 01-18-2007	TITLE STACKED SFP+ 2X6 ASS'Y WITH ELASTOMERIC GASKET		
		3 PLACES ± --- ± ---	CHECKED BY MSANDBERG	DATE 01-18-2007	MOLEX INCORPORATED		
		2 PLACES ± 0.13 ± ---	APPROVED BY RNELSON	DATE 01-18-2007	DOCUMENT NO. SD-76094-001	SHEET NO. 4 OF 4	
1 PLACE ± 0.25 ± ---	ANGULAR ± 5 °	DRAFT WHERE APPLICABLE MUST REMAIN WITHIN DIMENSIONS	SEE TABLE	THIS DRAWING CONTAINS INFORMATION THAT IS PROPRIETARY TO MOLEX INCORPORATED AND SHOULD NOT BE USED WITHOUT WRITTEN PERMISSION			



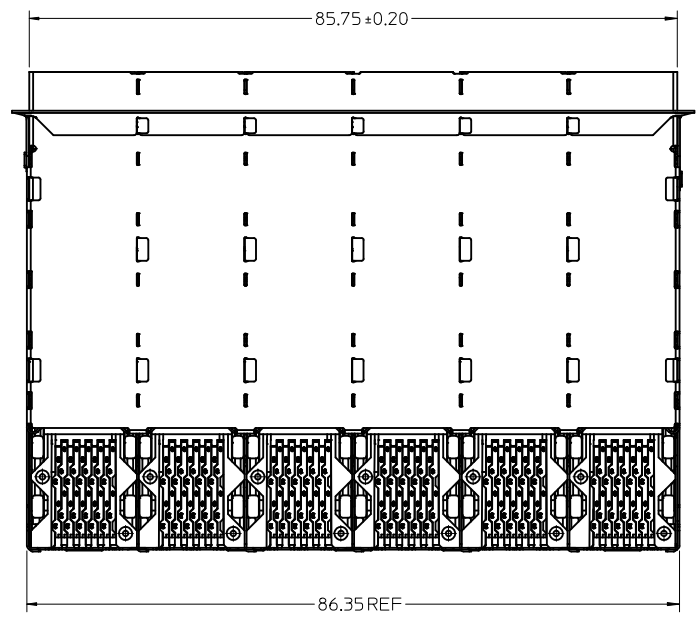
WITH INNER AND OUTER LIGHT PIPES



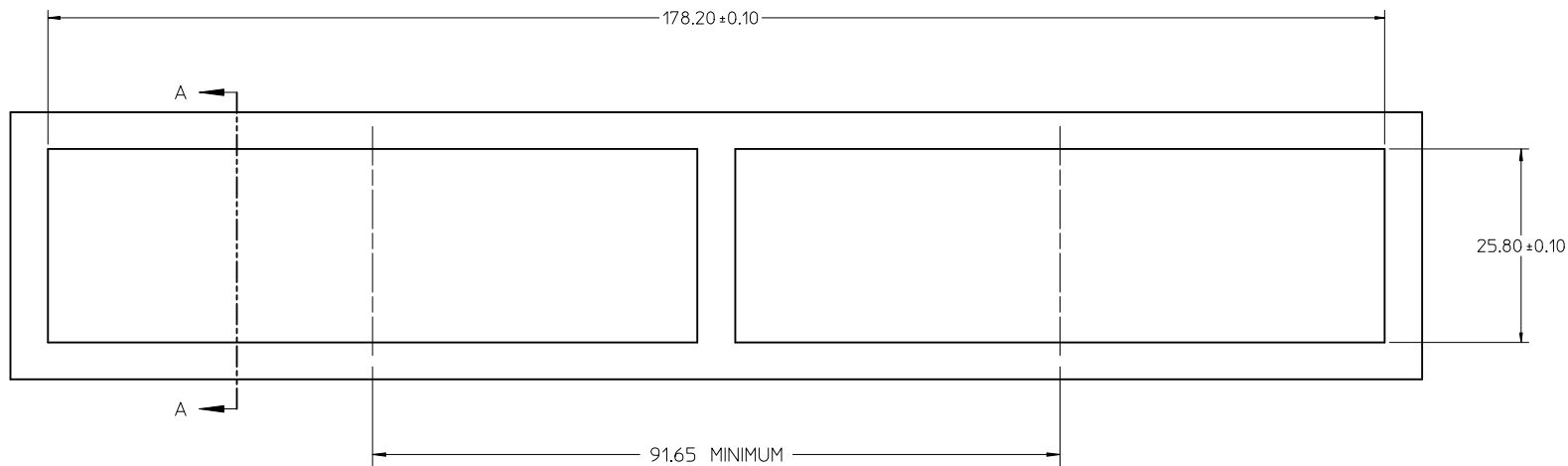
760946002 AND 760947002
WITH INNER LIGHT PIPES



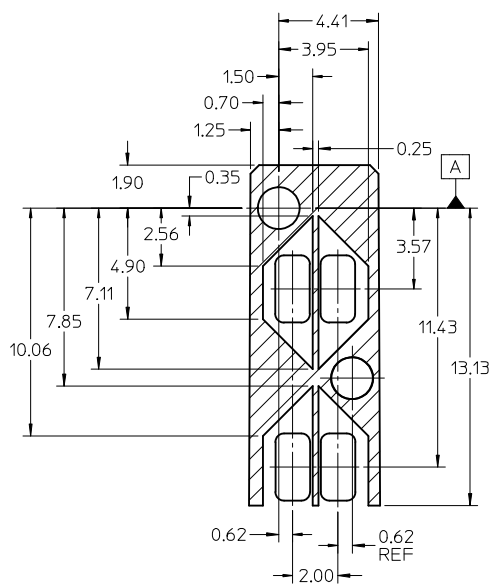
WITH OUTER LIGHT PIPES



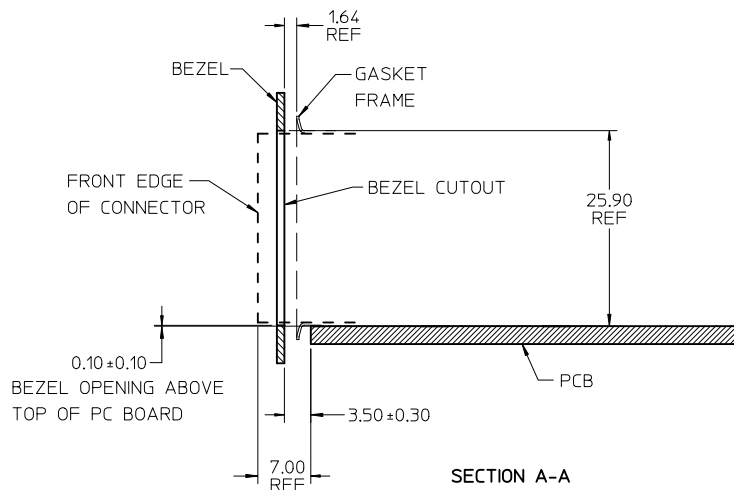
SEE SHEET 1 EC NO: UCP2011-3362 DRWN:BBARKER 2011/05/01 CHKD:BSMART APPR:SMILLER 2011/05/09	QUALITY SYMBOLS ▽=0 ▽=0 ▽=0	GENERAL TOLERANCES (UNLESS SPECIFIED)		DIMENSION STYLE MM ONLY		SCALE 2:1	DESIGN UNITS METRIC	THIRD ANGLE PROJECTION	
		4 PLACES ± --- ± --- 3 PLACES ± --- ± --- 2 PLACES ± 0.13 ± --- 1 PLACE ± 0.25 ± ---	mm INCH ± --- ± --- ± --- ± --- ± --- ± ---	DRAWN BY BBARKER	DATE 2010/10/19	TITLE STACKED SFP+ 2X6 ASS'Y WITH ELASTOMERIC GASKET ENHANCED EMI SHIELDING			
		ANGULAR ± 5 °		CHECKED BY DATE	APPROVED BY SMILLER	DATE 2011/05/09	MOLEX INCORPORATED		
	DRAFT WHERE APPLICABLE MUST REMAIN WITHIN DIMENSIONS	SEE SHEET 1	MATERIAL NO.	DOCUMENT NO.	SHEET NO.	2 OF 4			



BEZEL CUTOUT CENTER SPACING DETAIL
BEZEL THICKNESS 0.8 - 2.6



KEEPOUT ZONE DETAIL
SCALE 6:1



SEE SHEET 1 EC NO: UCP2011-3362 DRW:BBARKER 2011/05/01 CHKD:BSMART APPR:SMILLER 2011/05/09	QUALITY SYMBOLS ∇=0 ∇=0 ∇=0	GENERAL TOLERANCES (UNLESS SPECIFIED) <table border="1"> <tr> <th></th> <th>mm</th> <th>INCH</th> </tr> <tr> <td>4 PLACES</td> <td>± ---</td> <td>± ---</td> </tr> <tr> <td>3 PLACES</td> <td>± ---</td> <td>± ---</td> </tr> <tr> <td>2 PLACES</td> <td>± 0.13</td> <td>± ---</td> </tr> <tr> <td>1 PLACE</td> <td>± 0.25</td> <td>± ---</td> </tr> </table> ANGULAR ± 5 °		mm	INCH	4 PLACES	± ---	± ---	3 PLACES	± ---	± ---	2 PLACES	± 0.13	± ---	1 PLACE	± 0.25	± ---	DIMENSION STYLE MM ONLY DRAWN BY: BBARKER DATE: 2010/10/19 CHECKED BY: DATE:	SCALE: 2:1 DESIGN UNITS: METRIC THIRD ANGLE PROJECTION
		mm	INCH																
	4 PLACES	± ---	± ---																
	3 PLACES	± ---	± ---																
2 PLACES	± 0.13	± ---																	
1 PLACE	± 0.25	± ---																	
DRAFT WHERE APPLICABLE MUST REMAIN WITHIN DIMENSIONS	APPROVED BY: SMILLER DATE: 2011/05/09 MATERIAL NO.	TITLE: STACKED SFP+ 2X6 ASS'Y WITH ELASTOMERIC GASKET ENHANCED EMI SHIELDING MOLEX INCORPORATED																	
SEE SHEET 1	DOCUMENT NO.	SD-76094-003																	
SIZE: C	THIS DRAWING CONTAINS INFORMATION THAT IS PROPRIETARY TO MOLEX INCORPORATED AND SHOULD NOT BE USED WITHOUT WRITTEN PERMISSION																		