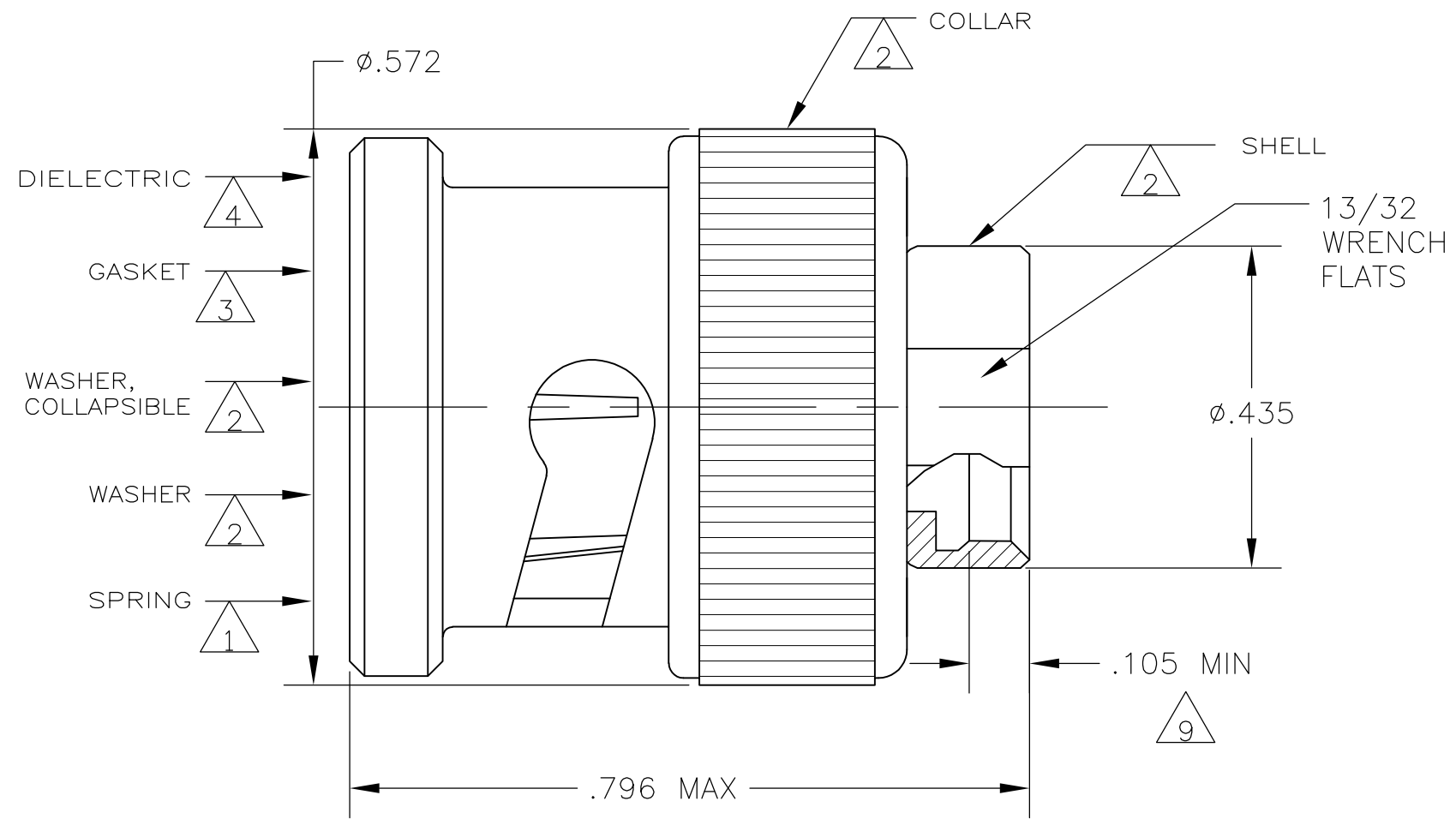


THIS DRAWING IS UNPUBLISHED. RELEASED FOR PUBLICATION
 © COPYRIGHT - By - ALL RIGHTS RESERVED.

REVISIONS					
P	LTR	DESCRIPTION	DATE	DWN	APVD
	B	PER ECO-15-015255	23OCT2015	RZ	RS



- 1 BERYLLIUM COPPER PER ASTM-B-194
- 2 BRASS PER ASTM-B-16
- 3 SILICONE RUBBER PER ZZ-R-765
- 4 PTFE PER ASTM-D-1710
- 5 SILVER PLATE PER QQ-S-365
- 6 TIN PLATE PER ASTM-B-545
- 7 BRIGHT NICKEL PLATE PER QQ-N-90
- 8 TIN-LEAD PLATE PER ASTM-B-545
- 9 3/8-32 UNEF-2B

REPLACED BY 9-329804-0 OBSOLETE

5	5	6	5	5	9-329804-0
7	7	8	7	7	2-329804-3
5	5	8	5	5	329804
SHELL	WASHER	SPRING	WASHER, COLLAPSIBLE	COLLAR	PART NUMBER
FINISH					
THIS DRAWING IS A CONTROLLED DOCUMENT.			DWN	03-05-69	STE TE Connectivity
			CHK	03-05-69	
			APVD	03-11-69	
			PRODUCT SPEC		
DIMENSIONS: INCHES			TOLERANCES UNLESS OTHERWISE SPECIFIED:		PLUG ASSEMBLY SERIES BNC
			0 PLC ± -		
			1 PLC ± -		
MATERIAL			2 PLC ± -		
			3 PLC ± -		
			4 PLC ± -		
			ANGLES ± -		
FINISH			5		SIZE
			6		
7		DRAWING NO			
8			RESTRICTED TO		
CUSTOMER DRAWING				WEIGHT	
			SCALE		4:1
			SHEET		1 OF 1
			REV		B